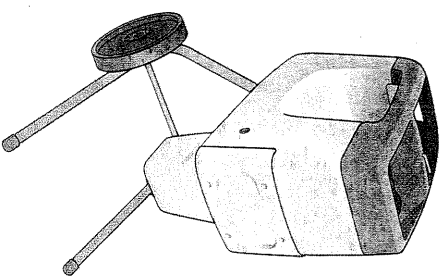


# Mountfield

*BioQuiet*



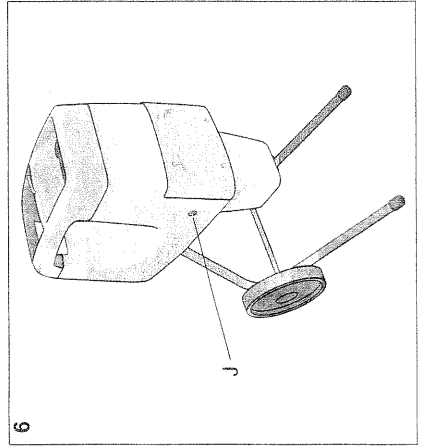
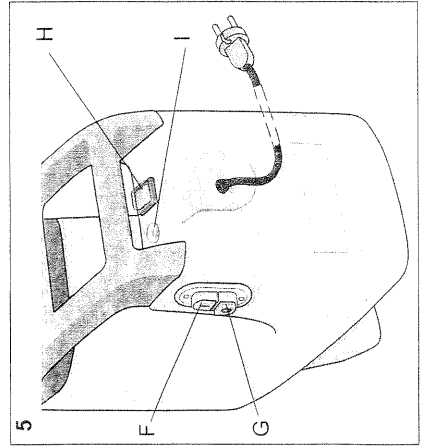
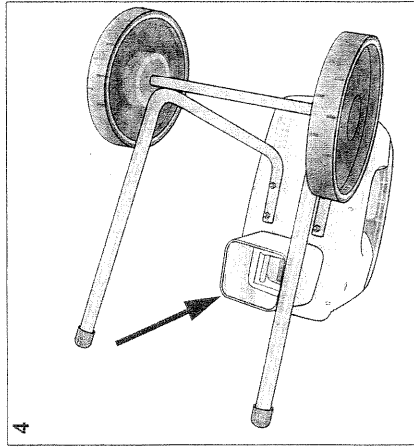
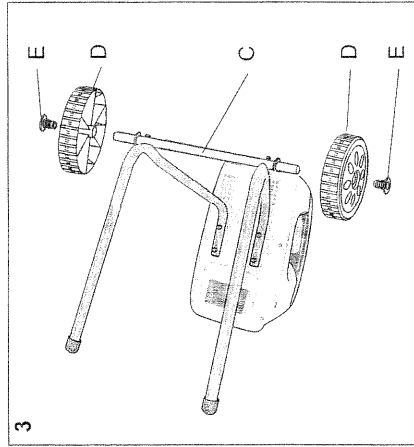
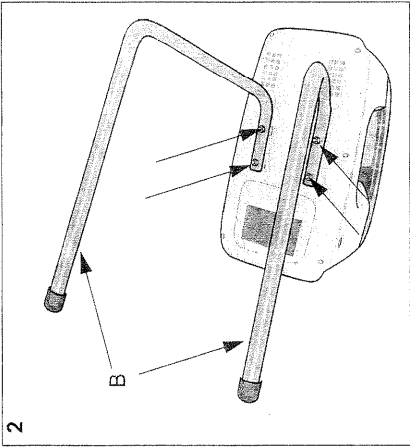
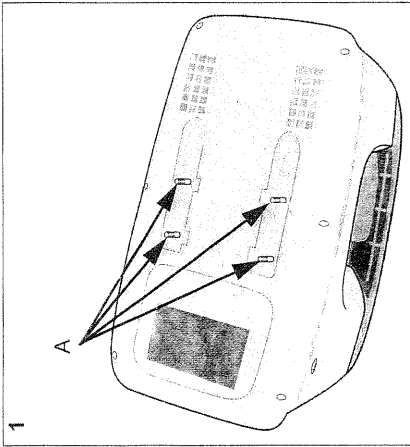
---

INSTRUCTIONS FOR USE

---

GGP Sweden AB · Box 1006 · SE-573 28 TRANAS

8217-3058-70



## SAFETY INSTRUCTIONS



This symbol indicates **WARNING**. Personal injury and/or damage to property may result if the instructions are not followed carefully.

### GENERAL

- Study the warning stickers on the machine. Replace damaged or illegible warning stickers.
- Please read through these instructions carefully. Learn all the controls and the correct use of the machine. Keep these instructions.
- Never use the machine if others, particularly children or animals, are in the vicinity. Anyone who is not aware of these regulations may not use the machine. Never let children use the machine.
- The user is responsible for accidents that happen to other people or their property.

### PREPARATIONS

- Wear protective gloves, protective glasses and hearing protectors. Avoid loose clothing.
- Always stand steadily and in balance. Do not stretch towards the machine. Never stand at a higher level than the machine during use.
- During use, the machine should be flat and on a firm surface.
- Ensure that all screws and nuts are properly tightened before use.
- Only use the machine in dry conditions and never outdoors when it is raining.
- Never use the machine with damaged safety devices or without protection.

### USING THE MACHINE

- Hard objects such as stones, bottle, cans or pieces of metal must not be fed into the feeding hopper. This can cause damage to the machine.
- If the machine becomes blocked, stop the motor and disconnect the plug. Pull out any objects and check for damage.
- Do not tug on the connection cable. Do not hold the cable taught. This can cause damage in the plugs or in the cable's insulation. Such damage is invisible but can be dangerous.
- Always keep the connection cable away from the machine. Disconnect the plug from the electric socket and check the cable regularly for signs of damage or ageing. Do not use the machine with a damaged connection cable.

- If the cable is damaged, it must be replaced by an authorised service dealer in order to avoid a hazard.

- If the fuse blows or if the overload protection is triggered, this is a sign that the machine is overloaded and/or that two many appliances are connected to the same lead. Check the cause and remedy. Do not install a more powerful fuse.
- Keep hands, other parts of your body and clothing away from the feeding hopper and the discharge chute. Never wear loose clothing or clothes with belts or straps when using the machine.
- Keep away from the discharge zone when starting the motor.
- Do not allow the pile of processed material to build up inside the discharge chute. This blocks new material and can cause the machine to change its direction of rotation.
- Keep your face and the rest of your body away from the feeding hopper.
- Never move the machine by pulling the cable. The machine must not be moved with the motor running.
- Do not leave the machine unsupervised, but first switch off the motor and disconnect the plug.

### MAINTENANCE AND STORAGE

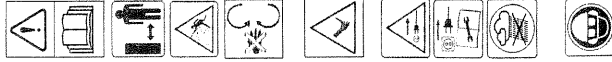
- During cleaning and maintenance, wear protective gloves to avoid injury.
- Switch off the motor and disconnect the plug before carrying out checks or maintenance on the machine.
- If a foreign object comes into contact with the spiral cutter or if the machine produces an abnormal noise level or abnormal vibrations, switch off the motor immediately. Disconnect the plug and check for any damage.
- The manufacturer's obligations and liability (according to the Product Liability Act) only apply on the condition that only spare parts approved by the manufacturer or spare parts of at least the same quality are used.
- Store the machine in a dry place.
- When, after many years of service, your machine needs to be replaced or is no longer required, we recommend that the machine is returned to your distributor for recycling.

**GENERAL**

**This symbol indicates WARNING. Serious personal injury and/or damage to property may result if the instructions are not followed carefully. You must read these instructions for use and its SAFETY INSTRUCTIONS carefully, before starting up the machine.**

**SYMBOLS**

The following symbols appear on the machine. They are there to remind you of the care and attention required during use and maintenance. This is what the symbols mean:



- Warning!**  
Read the instruction manual and the safety instructions before using the machine.
- Warning!**  
Keep spectators away. Beware of objects being flung out.
- Warning!**  
Do not put hands or feet under the cover of the machine when it is running.
- Warning!**  
The blades will continue to rotate after the machine has been switched off.
- Warning!**  
Remove the plug from the wall socket before carrying out any kind of maintenance.
- Warning!**  
Only use the machine in dry conditions and never outdoors when it is raining.
- Warning!**  
Wear safety gloves, safety goggles and hearing protection.

**ASSEMBLY**

1. Open the box and unpack all the parts.
2. Turn the grinder upside down on a soft underlay.
3. See fig. 1. Install the four studs (A).
4. See fig. 2. Install the legs (B) using the four nuts and washers. Tighten the nuts.
5. See fig. 2. Assemble the shaft (C) onto the legs. Use two screws and two nuts. Tighten the nuts with the tool supplied.
6. Push the wheels onto the shaft ends.
7. Assemble the plugs (E) at the axle ends. Knock in the plugs with use of a hammer.
8. See fig. 4. Install the hopper by pressing it in the holes in the grinder. The grinder cannot be started if the hopper is not installed.

**USING THE MACHINE**

**GENERAL**

This machine is only intended for private use, not to be used professionally. The material grinder is designed to grind organic material such as dry plant residue, twigs, sticks and branches.

**TRANSPORT**

Take great care during transport and when the machine is to be lifted. Lift the machine by taking a firm grip of the legs by the mounting to the motor housing, under the compost grinder, and lift carefully. Never lift the machine using the cover.

**ELECTRICAL CONNECTION**

Connect the machine to a 230-240 VAC single phase electric socket with a protective conductor (earth). The electric circuit should be fused with a 10A inert fuse. Always use a protectively earthed rubber connection cable. The cable should be of good quality, intended for outdoor use. The cable's cross-section should be at least 3 x 1.5 mm<sup>2</sup>. The connector (female contact) must be moisture-proof.

EG-Isosäkraven om överensstämmelse  
EY-vaikuttavuusluokitus  
EU-vaikuttavuusluokitus  
EU-Isokäyttöön sovelletty  
EG-Konformitätsbescheinigung

EC conformity declaration  
EU-vaikuttavuusluokitus  
EU-Isokäyttöön sovelletty  
Declaración de conformidad CE  
Declaración de conformitate CE

Denna produkt är i överensstämmelse med:  
- direktiv 73/23/EEG, 93/68/EEG  
- direktiv 89/336/EEG  
- maskindirektiv 98/37/EEG med särskilda hänvisningar till direktivets bilaga 1  
om väsentliga hälso- och säkerhetskrav i samband med tillverkning  
- lydriktiv 2000/14/EG  
Maskinen är utvecklad och tillverkad enligt följande standarder:  
- EN 13683, EN 292-2, EN ISO 3744, EN ISO 11201

Tämä tuote täyttää seuraavien direktiivien vaatimukset:  
- maatalousmäärittämisdirektiivi 73/23/EY, 93/68/EY  
- sähkömagnettisäilyntäsuojainta koskeva direktiivi 89/336/EY  
- koneidirektiivi 98/37/EY viitaten erityisesti direktiivin liitteeseen 1, joka käsittää olennaisia terveys- ja turvallisuusvaatimuksia valmistuksen yhteydessä  
- meludirektiivi 2000/14/EG  
Tuote on kehitetty ja valmistettu seuraavien normien mukaisesti:  
- EN 13683, EN 292-2, EN ISO 3744, EN ISO 11201

Dette produkt er i overensstemmelse med:  
- direktiv 73/23/EEG, 93/68/EEG  
- direktiv 89/336/EEG om elektromagnetisk kompatibilitet  
- lydriktiv 2000/14/EF  
Maskinen er utviklet og produsert i overensstemmelse med følgende normer:  
- EN 13683, EN 292-2, EN ISO 3744, EN ISO 11201

Dieses Produkt ist in Übereinstimmung mit:  
- Richtlinie 73/23/EEG, 93/68/EEG  
- Richtlinie 89/336/EEG über die elektromagnetische Kompatibilität  
- Maschinenrichtlinie 98/37/EEG mit besonderem Hinweis auf Anlage 1 der Richtlinie über wichtige Gesundheits- und Sicherheitsanforderungen im Zusammenhang mit der Herstellung  
- Schallschutzrichtlinie 2000/14/EG  
Das Erzeugnis ist in Übereinstimmung mit folgenden Normen entwickelt und gefertigt worden:  
- EN 13683, EN 292-2, EN ISO 3744, EN ISO 11201

This product conforms to:  
- Low Voltage Directive 73/23/EEC, 93/68/EEC  
- Electromagnetic Compatibility Directive 89/336/EEC  
- Machinery Directive 98/37/EEC with special reference to appendix 1 of the directive regarding essential health and safety requirements in conjunction with manufacturing  
- Noise Emission Directive 2000/14/EC  
This product has been developed and manufactured in conformance with the following standards:  
- EN 13683, EN 292-2, EN ISO 3744, EN ISO 11201

Ce produit est conforme à:  
- La Directive basse tension 73/23/CEE, 93/68/CEE  
- La Directive compatibilité électromagnétique 89/336/CEE  
- La Directive machines 98/37/CEE, avec une référence particulière à l'annexe 1 de la directive relative aux exigences essentielles de santé et de sécurité dans le cadre de la fabrication  
Le produit en question a été mis au point et fabriqué conformément aux normes suivantes:  
- EN 13683, EN 292-2, EN ISO 3744, EN ISO 11201

Dit product voldoet aan:  
- Richtlijn voor laagspanning 73/23/EEG, 93/68/EEG  
- Richtlijn voor elektromagnetische compatibiliteit 89/336/EEC  
- Richtlijn voor machines 98/37/EEC met speciale verwijzing naar aanhangsel 1 van de richtlijn voor essentiële gezondheids- en veiligheidsvereisten i.v.m. fabricage  
Het product is in overeenstemming met volgende normen ontwikkeld en vervaardigd:  
- EN 13683, EN 292-2, EN ISO 3744, EN ISO 11201

Uttarlagt i Tranås  
Annettu Tranåsissa  
Utläst i Tranås  
Säkerhetsanvisningar  
Issued in Tranås

Fait à Tranås  
Geproduceerd in Tranås  
Plüscida a Tranås  
Emplido en Tranås  
Výrobáno v Tranås  
Buzano a Tranås

Vydáno v Tranås  
Kibecostava Tranåsian  
Izdano v Tranås  
2006-06-28

Declaração de conformidade da CE  
Declaración de conformidad CE  
Declarazione di conformità CE  
EK megjelölés a CE-vel

Questo prodotto è conforme alle:  
- direttive 73/23/CEE, 93/68/CEE  
- direttiva sulla compatibilità elettromagnetica 89/336/EEC  
- direttiva Macchine 98/37/EEC con particolare riferimento all'appendice 1 della direttiva riguardante i requisiti essenziali in materia di salute e sicurezza relativi alla fabbricazione  
- direttiva sulle emissioni sonore 2000/14/EC  
Rifinito alle norme armonizzate:  
- EN 13683, EN 292-2, EN ISO 3744, EN ISO 11201

Este producto respeta las siguientes normas:  
- Directiva 73/23/CEE, 93/68/CEE sobre baja tensión  
- Directiva 89/336/CEE sobre compatibilidad electromagnética  
- Directiva 98/37/CEE sobre máquinas, especialmente su anexo 1 sobre los requisitos esenciales de seguridad y de salud relativos a la fabricación de los aparatos  
- Directiva 2000/14/CE relativa a las emisiones sonoras  
Referencia a estándares armonizados:  
- EN 13683, EN 292-2, EN ISO 3744, EN ISO 11201

Este produto está em conformidade com:  
- Directiva 73/23/EEG  
- Directiva sobre Compatibilidade Electromagnética 89/336/CEE  
- Directiva relativa às Máquinas 98/37/CEE com referência especial ao apêndice 1 da directiva referente aos requisitos essenciais de saúde e segurança em conjunto com os de ruído.  
Referência às normas harmonizadas:  
- EN 13683, EN 292-2, EN ISO 3744, EN ISO 11201

Ten produkt odhovjača nastajajočim normam:  
- Niskovoltne direktive 73/23/EEG, 93/68/EEC  
- Kompatibilnost elektromagnetična - direktiva 89/336/EEC  
- Masiny - direktiva 98/37/EEC, a z posebnim dodatkom 1, 4, 5, 6, 7, 8, 9, 10, 11, 12, 13, 14, 15, 16, 17, 18, 19, 20, 21, 22, 23, 24, 25, 26, 27, 28, 29, 30, 31, 32, 33, 34, 35, 36, 37, 38, 39, 40, 41, 42, 43, 44, 45, 46, 47, 48, 49, 50, 51, 52, 53, 54, 55, 56, 57, 58, 59, 60, 61, 62, 63, 64, 65, 66, 67, 68, 69, 70, 71, 72, 73, 74, 75, 76, 77, 78, 79, 80, 81, 82, 83, 84, 85, 86, 87, 88, 89, 90, 91, 92, 93, 94, 95, 96, 97, 98, 99, 100, 101, 102, 103, 104, 105, 106, 107, 108, 109, 110, 111, 112, 113, 114, 115, 116, 117, 118, 119, 120, 121, 122, 123, 124, 125, 126, 127, 128, 129, 130, 131, 132, 133, 134, 135, 136, 137, 138, 139, 140, 141, 142, 143, 144, 145, 146, 147, 148, 149, 150, 151, 152, 153, 154, 155, 156, 157, 158, 159, 160, 161, 162, 163, 164, 165, 166, 167, 168, 169, 170, 171, 172, 173, 174, 175, 176, 177, 178, 179, 180, 181, 182, 183, 184, 185, 186, 187, 188, 189, 190, 191, 192, 193, 194, 195, 196, 197, 198, 199, 200, 201, 202, 203, 204, 205, 206, 207, 208, 209, 210, 211, 212, 213, 214, 215, 216, 217, 218, 219, 220, 221, 222, 223, 224, 225, 226, 227, 228, 229, 230, 231, 232, 233, 234, 235, 236, 237, 238, 239, 240, 241, 242, 243, 244, 245, 246, 247, 248, 249, 250, 251, 252, 253, 254, 255, 256, 257, 258, 259, 260, 261, 262, 263, 264, 265, 266, 267, 268, 269, 270, 271, 272, 273, 274, 275, 276, 277, 278, 279, 280, 281, 282, 283, 284, 285, 286, 287, 288, 289, 290, 291, 292, 293, 294, 295, 296, 297, 298, 299, 300, 301, 302, 303, 304, 305, 306, 307, 308, 309, 310, 311, 312, 313, 314, 315, 316, 317, 318, 319, 320, 321, 322, 323, 324, 325, 326, 327, 328, 329, 330, 331, 332, 333, 334, 335, 336, 337, 338, 339, 340, 341, 342, 343, 344, 345, 346, 347, 348, 349, 350, 351, 352, 353, 354, 355, 356, 357, 358, 359, 360, 361, 362, 363, 364, 365, 366, 367, 368, 369, 370, 371, 372, 373, 374, 375, 376, 377, 378, 379, 380, 381, 382, 383, 384, 385, 386, 387, 388, 389, 390, 391, 392, 393, 394, 395, 396, 397, 398, 399, 400, 401, 402, 403, 404, 405, 406, 407, 408, 409, 410, 411, 412, 413, 414, 415, 416, 417, 418, 419, 420, 421, 422, 423, 424, 425, 426, 427, 428, 429, 430, 431, 432, 433, 434, 435, 436, 437, 438, 439, 440, 441, 442, 443, 444, 445, 446, 447, 448, 449, 450, 451, 452, 453, 454, 455, 456, 457, 458, 459, 460, 461, 462, 463, 464, 465, 466, 467, 468, 469, 470, 471, 472, 473, 474, 475, 476, 477, 478, 479, 480, 481, 482, 483, 484, 485, 486, 487, 488, 489, 490, 491, 492, 493, 494, 495, 496, 497, 498, 499, 500, 501, 502, 503, 504, 505, 506, 507, 508, 509, 510, 511, 512, 513, 514, 515, 516, 517, 518, 519, 520, 521, 522, 523, 524, 525, 526, 527, 528, 529, 530, 531, 532, 533, 534, 535, 536, 537, 538, 539, 540, 541, 542, 543, 544, 545, 546, 547, 548, 549, 550, 551, 552, 553, 554, 555, 556, 557, 558, 559, 560, 561, 562, 563, 564, 565, 566, 567, 568, 569, 570, 571, 572, 573, 574, 575, 576, 577, 578, 579, 580, 581, 582, 583, 584, 585, 586, 587, 588, 589, 590, 591, 592, 593, 594, 595, 596, 597, 598, 599, 600, 601, 602, 603, 604, 605, 606, 607, 608, 609, 610, 611, 612, 613, 614, 615, 616, 617, 618, 619, 620, 621, 622, 623, 624, 625, 626, 627, 628, 629, 630, 631, 632, 633, 634, 635, 636, 637, 638, 639, 640, 641, 642, 643, 644, 645, 646, 647, 648, 649, 650, 651, 652, 653, 654, 655, 656, 657, 658, 659, 660, 661, 662, 663, 664, 665, 666, 667, 668, 669, 670, 671, 672, 673, 674, 675, 676, 677, 678, 679, 680, 681, 682, 683, 684, 685, 686, 687, 688, 689, 690, 691, 692, 693, 694, 695, 696, 697, 698, 699, 700, 701, 702, 703, 704, 705, 706, 707, 708, 709, 710, 711, 712, 713, 714, 715, 716, 717, 718, 719, 720, 721, 722, 723, 724, 725, 726, 727, 728, 729, 730, 731, 732, 733, 734, 735, 736, 737, 738, 739, 740, 741, 742, 743, 744, 745, 746, 747, 748, 749, 750, 751, 752, 753, 754, 755, 756, 757, 758, 759, 760, 761, 762, 763, 764, 765, 766, 767, 768, 769, 770, 771, 772, 773, 774, 775, 776, 777, 778, 779, 780, 781, 782, 783, 784, 785, 786, 787, 788, 789, 790, 791, 792, 793, 794, 795, 796, 797, 798, 799, 800, 801, 802, 803, 804, 805, 806, 807, 808, 809, 810, 811, 812, 813, 814, 815, 816, 817, 818, 819, 820, 821, 822, 823, 824, 825, 826, 827, 828, 829, 830, 831, 832, 833, 834, 835, 836, 837, 838, 839, 840, 841, 842, 843, 844, 845, 846, 847, 848, 849, 850, 851, 852, 853, 854, 855, 856, 857, 858, 859, 860, 861, 862, 863, 864, 865, 866, 867, 868, 869, 870, 871, 872, 873, 874, 875, 876, 877, 878, 879, 880, 881, 882, 883, 884, 885, 886, 887, 888, 889, 890, 891, 892, 893, 894, 895, 896, 897, 898, 899, 900, 901, 902, 903, 904, 905, 906, 907, 908, 909, 910, 911, 912, 913, 914, 915, 916, 917, 918, 919, 920, 921, 922, 923, 924, 925, 926, 927, 928, 929, 930, 931, 932, 933, 934, 935, 936, 937, 938, 939, 940, 941, 942, 943, 944, 945, 946, 947, 948, 949, 950, 951, 952, 953, 954, 955, 956, 957, 958, 959, 960, 961, 962, 963, 964, 965, 966, 967, 968, 969, 970, 971, 972, 973, 974, 975, 976, 977, 978, 979, 980, 981, 982, 983, 984, 985, 986, 987, 988, 989, 990, 991, 992, 993, 994, 995, 996, 997, 998, 999, 1000, 1001, 1002, 1003, 1004, 1005, 1006, 1007, 1008, 1009, 1010, 1011, 1012, 1013, 1014, 1015, 1016, 1017, 1018, 1019, 1020, 1021, 1022, 1023, 1024, 1025, 1026, 1027, 1028, 1029, 1030, 1031, 1032, 1033, 1034, 1035, 1036, 1037, 1038, 1039, 1040, 1041, 1042, 1043, 1044, 1045, 1046, 1047, 1048, 1049, 1050, 1051, 1052, 1053, 1054, 1055, 1056, 1057, 1058, 1059, 1060, 1061, 1062, 1063, 1064, 1065, 1066, 1067, 1068, 1069, 1070, 1071, 1072, 1073, 1074, 1075, 1076, 1077, 1078, 1079, 1080, 1081, 1082, 1083, 1084, 1085, 1086, 1087, 1088, 1089, 1090, 1091, 1092, 1093, 1094, 1095, 1096, 1097, 1098, 1099, 1100, 1101, 1102, 1103, 1104, 1105, 1106, 1107, 1108, 1109, 1110, 1111, 1112, 1113, 1114, 1115, 1116, 1117, 1118, 1119, 1120, 1121, 1122, 1123, 1124, 1125, 1126, 1127, 1128, 1129, 1130, 1131, 1132, 1133, 1134, 1135, 1136, 1137, 1138, 1139, 1140, 1141, 1142, 1143, 1144, 1145, 1146, 1147, 1148, 1149, 1150, 1151, 1152, 1153, 1154, 1155, 1156, 1157, 1158, 1159, 1160, 1161, 1162, 1163, 1164, 1165, 1166, 1167, 1168, 1169, 1170, 1171, 1172, 1173, 1174, 1175, 1176, 1177, 1178, 1179, 1180, 1181, 1182, 1183, 1184, 1185, 1186, 1187, 1188, 1189, 1190, 1191, 1192, 1193, 1194, 1195, 1196, 1197, 1198, 1199, 1200, 1201, 1202, 1203, 1204, 1205, 1206, 1207, 1208, 1209, 1210, 1211, 1212, 1213, 1214, 1215, 1216, 1217, 1218, 1219, 1220, 1221, 1222, 1223, 1224, 1225, 1226, 1227, 1228, 1229, 1230, 1231, 1232, 1233, 1234, 1235, 1236, 1237, 1238, 1239, 1240, 1241, 1242, 1243, 1244, 1245, 1246, 1247, 1248, 1249, 1250, 1251, 1252, 1253, 1254, 1255, 1256, 1257, 1258, 1259, 1260, 1261, 1262, 1263, 1264, 1265, 1266, 1267, 1268, 1269, 1270, 1271, 1272, 1273, 1274, 1275, 1276, 1277, 1278, 1279, 1280, 1281, 1282, 1283, 1284, 1285, 1286, 1287, 1288, 1289, 1290, 1291, 1292, 1293, 1294, 1295, 1296, 1297, 1298, 1299, 1300, 1301, 1302, 1303, 1304, 1305, 1306, 1307, 1308, 1309, 1310, 1311, 1312, 1313, 1314, 1315, 1316, 1317, 1318, 1319, 1320, 1321, 1322, 1323, 1324, 1325, 1326, 1327, 1328, 1329, 1330, 1331, 1332, 1333, 1334, 1335, 1336, 1337, 1338, 1339, 1340, 1341, 1342, 1343, 1344, 1345, 1346, 1347, 1348, 1349, 1350, 1351, 1352, 1353, 1354, 1355, 1356, 1357, 1358, 1359, 1360, 1361, 1362, 1363, 1364, 1365, 1366, 1367, 1368, 1369, 1370, 1371, 1372, 1373, 1374, 1375, 1376, 1377, 1378, 1379, 1380, 1381, 1382, 1383, 1384, 1385, 1386, 1387, 1388, 1389, 1390, 1391, 1392, 1393, 1394, 1395, 1396, 1397, 1398, 1399, 1400, 1401, 1402, 1403, 1404, 1405, 1406, 1407, 1408, 1409, 1410, 1411, 1412, 1413, 1414, 1415, 1416, 1417, 1418, 1419, 1420, 1421, 1422, 1423, 1424, 1425, 1426, 1427, 1428, 1429, 1430, 1431, 1432, 1433, 1434, 1435, 1436, 1437, 1438, 1439, 1440, 1441, 1442, 1443, 1444, 1445, 1446, 1447, 1448, 1449, 1450, 1451, 1452, 1453, 1454, 1455, 1456, 1457, 1458, 1459, 1460, 1461, 1462, 1463, 1464, 1465, 1466, 1467, 1468, 1469, 1470, 1471, 1472, 1473, 1474, 1475, 1476, 1477, 1478, 1479, 1480, 1481, 1482, 1483, 1484, 1485, 1486, 1487, 1488, 1489, 1490, 1491, 1492, 1493, 1494, 1495, 1496, 1497, 1498, 1499, 1500, 1501, 1502, 1503, 1504, 1505, 1506, 1507, 1508, 1509, 1510, 1511, 1512, 1513, 1514, 1515, 1516, 1517, 1518, 1519, 1520, 1521, 1522, 1523, 1524, 1525, 1526, 1527, 1528, 1529, 1530, 1531, 1532, 1533, 1534, 1535, 1536, 1537, 1538, 1539, 1540, 1541, 1542, 1543, 1544, 1545, 1546, 1547, 1548, 1549, 1550, 1551, 1552, 1553, 1554, 1555, 1556, 1557, 1558, 1559, 1560, 1561, 1562, 1563, 1564, 1565, 1566, 1567, 1568, 1569, 1570, 1571, 1572, 1573, 1574, 1575, 1576, 1577, 1578, 1579, 1580, 1581, 1582, 1583, 1584, 1585, 1586, 1587, 1588, 1589, 1590, 1591, 1592



Branches and twigs should be ground shortly after being cut. They become extremely hard when they dry out, and the maximum diameter of what can be ground is reduced.

A large proportion of garden waste contains a lot of water and therefore sticks easily. Such material should be allowed to dry for a few days before being processed.

Store the grinder indoors in a dry place.

## COMPOSTING

The processed material can be composted in various ways:

- The material can be placed in a heap directly on the ground (cold composting).
- The material can be placed in a plastic container, wooden crate, skeleton container or similar (cold composting).
- The material can be placed in an insulated compost holder. The heat is then held for longer and the rotting process also continues during the winter. This method produces faster results (warm composting).
- The material can be spread directly onto the garden (surface composting).

## ADJUSTMENT OF COUNTERHOLD/BLADE

The cutting mechanism comprises a rotating blade and a counterhold. For optimum grinding, the gap between blade and counterhold should be 0 mm. The gap is adjusted during manufacture and does not need to be adjusted when the machine is used for the first time.

If the grinding results deteriorate after a period of use, the counterhold can be adjusted as described below.




**The engine should always be running when adjusting the counterhold.**  
**The machine should always be feeding downwards when adjusting the counterhold.**

Adjusting the counterhold:

1. Start the machine.
2. Use the supplied alle key and turn the screw (11) slowly clockwise.
3. Stop turning when a scraping sound starts to become audible and fine aluminium shavings drop out through the discharge opening.
4. The gap between blade and counterhold is now 0 mm again and optimum grinding results will be achieved.

## MAINTENANCE


 **Always disconnect the plug from the electric socket before any maintenance. Always wear protective gloves to avoid injury.**

Generally speaking, compost grinders require very little maintenance. In order to maintain the efficiency of the machine and to achieve a long service life, observe the following:

- keep the air openings clean and free of obstructing material.
- check the customer-installed nuts and screws (tighten if necessary).
- spray the spiral cutter after each use with an environmentally-friendly, biodegradable spray oil to protect against corrosion.

## CLEANING


Always clean the compost grinder after each use.

 **Never use a high-pressure washer or running water when cleaning the grinder!**

Brush away dirt and plant residue which may be caught in the spiral cutter. Wipe clean the outside of the grinder with a cloth which has been moistened with a mild detergent and water.

## SERVICE

Authorised service stations carry out repairs and servicing. They use genuine spare parts.

 **Under no circumstances may parts other than genuine spare parts be used. This is a requirement stipulated by the Testing Authority. The machine is approved and tested with these parts.**

**If the machine requires servicing, repairs or maintenance which entail dismantling of the cover, this must be performed by an authorised service station.**

The manufacturer reserves the right to make alterations to the product without prior notification.

## PURCHASE TERMS

A full warranty is issued against manufacturing and material defects. The user must carefully follow the instructions given in the enclosed documentation.

### Warranty period

According to relevant laws.

### Exceptions

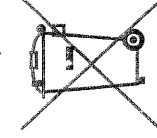
The guarantee does not cover damage due to:

- Neglect by the user to acquaint themselves with accompanying documentation
- Carelessness
- Incorrect and non-permitted use or assembly
- The use of non-genuine spare parts
- The use of accessories not supplied or approved by the manufacturer
- Neither does the guarantee cover:
  - wearing components such as blades, belts, wheels and cables
  - Normal wear
  - Motors. These are covered by the motor manufacturer's warranties, with separate terms and conditions.

The purchaser is covered the national laws of each country. The rights to which the purchaser is entitled with the support of these laws are not restricted by this warranty.

## RECYCLING

**Waste handling according to the WEEE Directive (2002/96/EC)**



Protect the environment!

Not allowed to be disposed of among household waste!  
 This product contains electric and electronic components to be recycled.

Hand over the product for recycling at advised place, e.g. municipal recycling station.

