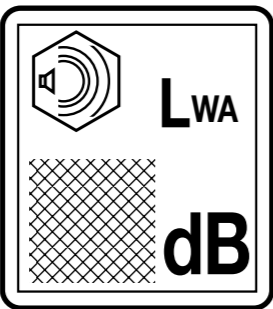




 Model:
 Type:
 (Year) S/N°



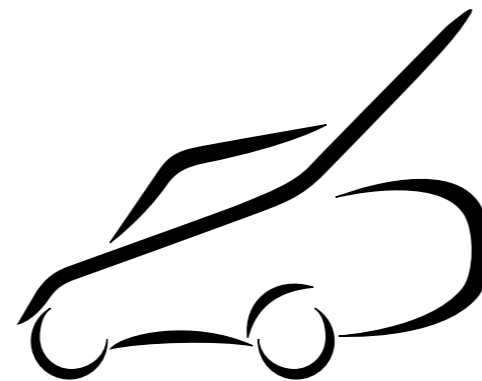
 LWA
 dB



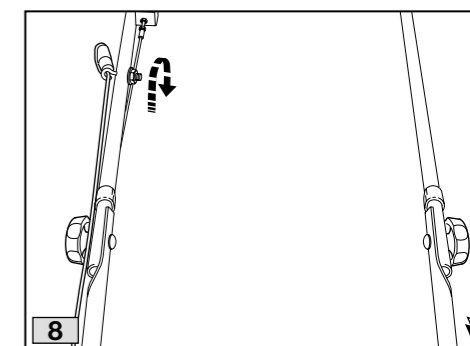
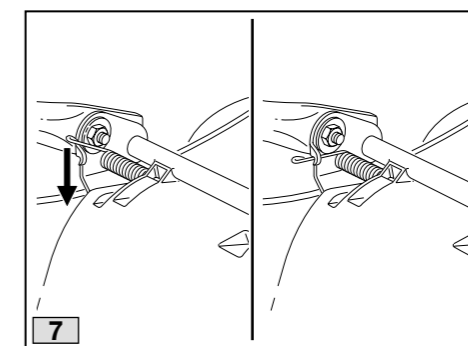
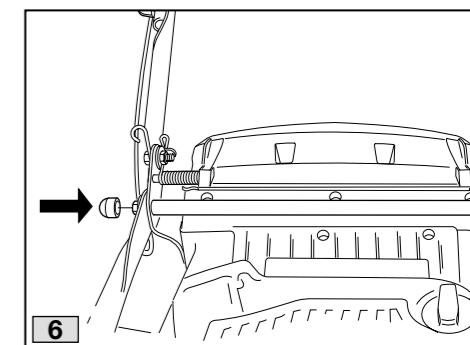
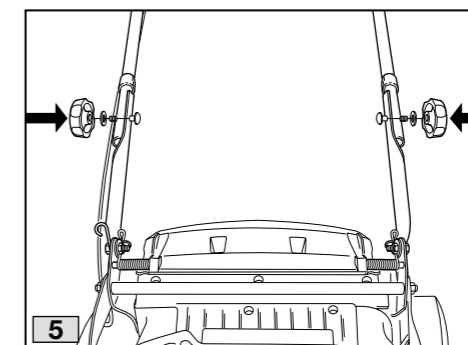
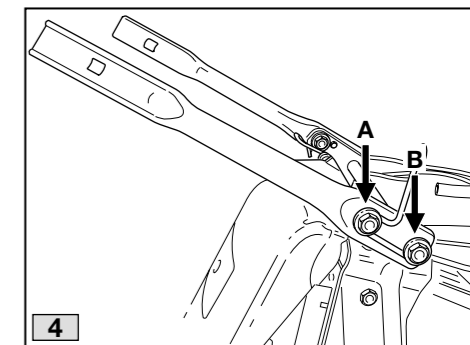
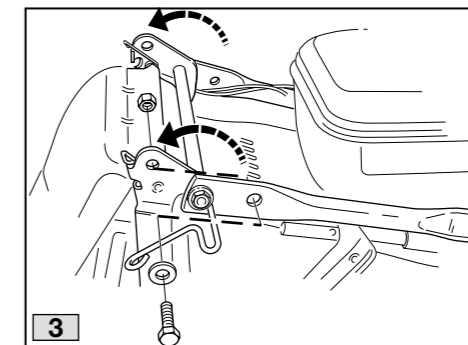
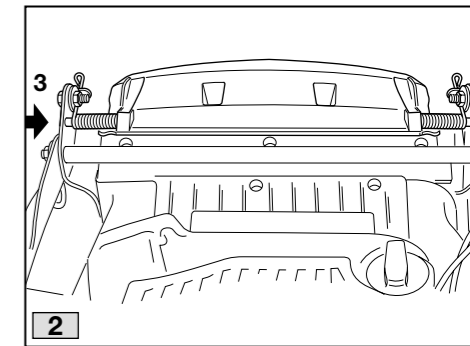
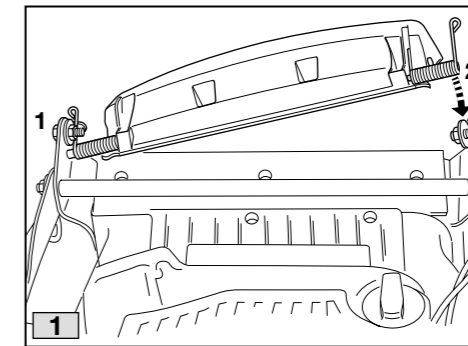
 TÜV Rheinland GS

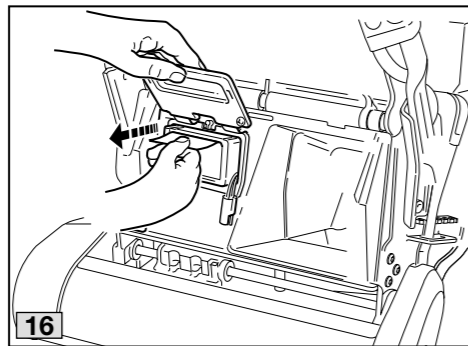
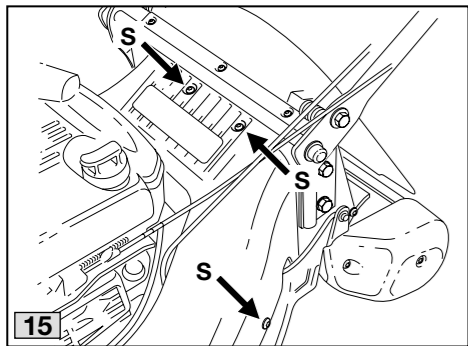
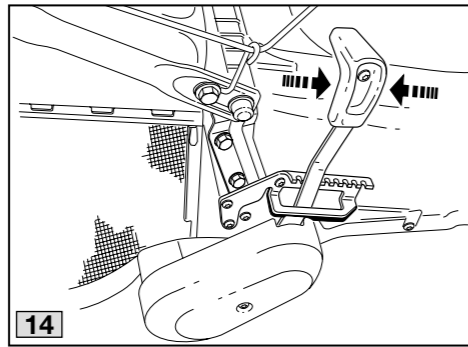
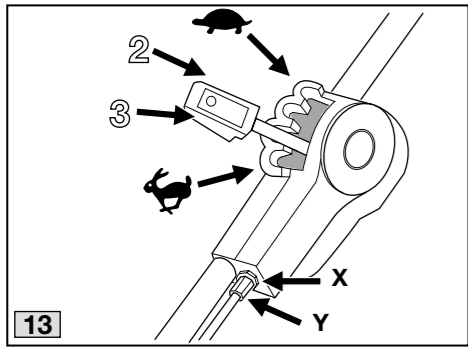
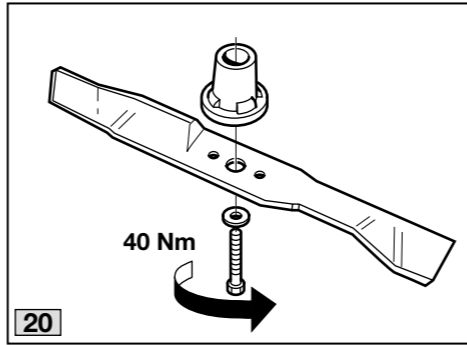
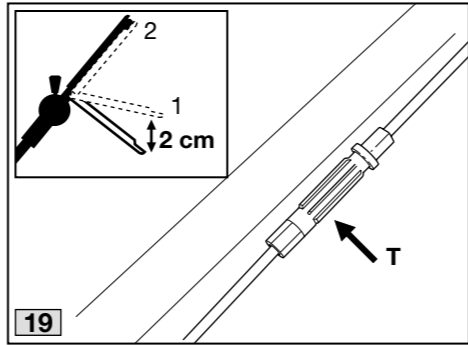
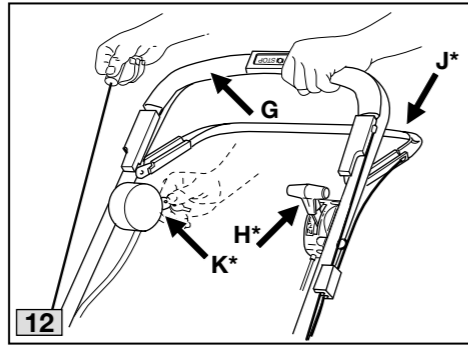
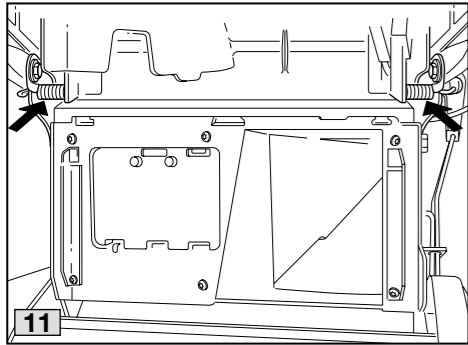
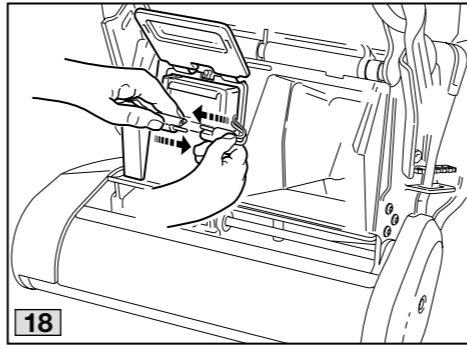
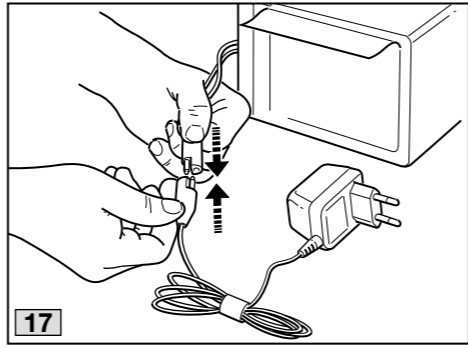
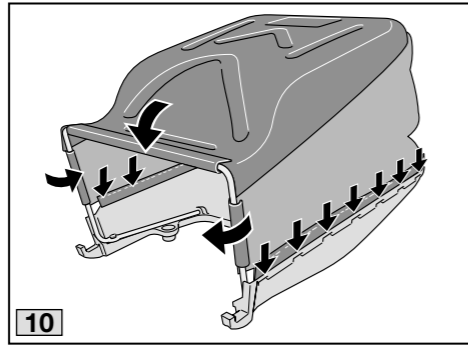
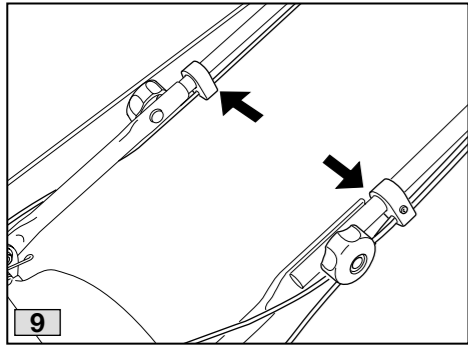


 CE



INSTRUCTIONS FOR USE





SAFETY REGULATIONS

A) TRAINING

- 1) Read the instructions carefully. Get familiar with the controls and proper use of the equipment. Learn how to stop the engine quickly.
- 2) Only use the lawnmower for the purpose for which it was designed, i.e. for cutting and collecting grass. Any other use can be hazardous, causing damage to the machine.
- 3) Never allow children or people unfamiliar with these instructions to use the lawnmower. Local regulations may restrict the age of the operator.
- 4) Never use the lawnmower:
 - When people, especially children, or pets are nearby.
 - If the operator has taken medicine or substances that can affect his ability to react and concentrate.
- 5) Remember that the operator or user is responsible for accidents or hazards occurring to other people or their property.

B) PREPARATION

- 1) While mowing, always wear sturdy footwear and long trousers. Do not operate the equipment when barefoot or wearing open sandals.
- 2) Thoroughly inspect the area where the equipment is to be used and remove all objects which may be thrown by the machine or damage the cutter assembly and the engine (stones, sticks, metal wire, bones, etc.)
- 3) **WARNING: DANGER!** Engine fuel is highly flammable:
 - Store fuel in containers specifically designed for this purpose.
 - Refuel using a funnel and outdoors only. Do not smoke while refuelling or whenever handling the fuel.
 - Add fuel before starting the engine. Never remove the cap of the fuel tank or add fuel while the engine is running or when the engine is hot.
 - If fuel is spilled, do not attempt to start the engine but move the machine away from the area of spillage and avoid creating any source of ignition until the fuel has evaporated and the vapour dispersed.
 - Replace all fuel tanks and containers caps securely.
- 4) Substitute faulty silencers.
- 5) Before use, always inspect the machine, especially the condition of the blades, and check that the screws and cutting assembly are not worn or damaged. Replace worn or damaged blades and screws in sets to preserve balance.
- 6) Before mowing, attach the discharge opening guards (grass-catcher or stone-guard).

C) OPERATION

- 1) Do not operate the engine in a confined space where dangerous carbon monoxide fumes can collect.
- 2) Mow only in daylight or good artificial light.
- 3) If possible, avoid operating the equipment in wet grass.
- 4) Always be sure of your footing on slopes.
- 5) Walk, never run and do not allow yourself to be pulled along by the lawnmower.
- 6) Mow across the face of slopes, never up and down.
- 7) Exercise extreme caution when changing direction on slopes.
- 8) Do not mow on slopes of more than 20°.
- 9) Exercise extreme caution when pulling the lawnmower towards you.
- 10) Stop the blade if the lawnmower has to be tilted for transportation when crossing surfaces other than grass, and when transporting the lawnmower to and from the area to be mowed.
- 11) Never operate the lawnmower with defective guards, or without safety devices, such as the stone-guard and/or grass-catcher, in place.
- 12) Do not change the engine governor settings or overspeed the engine.
- 13) On power-driven models, disengage the drive clutch before starting the engine.
- 14) Start the engine carefully, following the instructions and keeping feet well away from the blade.
- 15) Do not tilt the lawnmower when starting the engine. Start the engine on a flat surface that is free of obstacles and tall grass.
- 16) Do not put hands or feet near or under rotating parts. Keep clear of the discharge opening at all times.
- 17) Never pick up or carry a lawnmower while the engine is running.
- 18) Stop the engine and disconnect the spark plug wire:
 - Before carrying out any work underneath the cutting deck or before unclogging the chute;
 - Before checking, cleaning or working on lawnmower;
 - After striking a foreign object. Inspect the lawnmower for damage and make repairs before restarting and operating the lawnmower;
 - If the lawnmower starts to vibrate abnormally (find and remove the cause of the vibration immediately).
- 19) Stop the engine:
 - Whenever you leave the lawnmower unattended. Remove the key from models with electric starters.
 - Before refuelling.
 - Every time you remove or replace the grass-catcher.
 - Before adjusting the cutting height.
- 20) Reduce the throttle before turning off the engine and turn the fuel off when you have finished mowing, following the instructions in the engine handbook.
- 21) When mowing, always keep to a safe dis-

tance from the rotating blade. This distance is the length of the handle.

D) MAINTENANCE AND STORAGE

- 1) Keep all nuts, bolts and screws tight to be sure the equipment is in safe working condition. Regular maintenance is essential for safety and performance.
- 2) Never store the equipment with fuel in the tank inside a building where vapour may reach a flame or a spark or a source of extreme heat.
- 3) Allow the engine to cool before storing in an enclosed space.
- 4) To reduce the fire hazard, keep the engine, exhaust silencer, battery compartment and fuel storage area free of grass, leaves, or excessive grease. Do not leave containers with grass cuttings in rooms.
- 5) Check the stone-guard and grass-catcher frequently for wear and deterioration.
- 6) If the fuel tank has to be drained, this should be done outdoors and when the engine is cool.
- 7) Wear strong work gloves when removing and reassembling the blade.
- 8) Check the blade's balance after sharpening.
- 9) For reasons of safety, do not use the equipment with worn or damaged parts. Parts are to be replaced and not repaired. Use genuine spare parts (blades should always bear the symbol Δ). Parts that are not of the same quality can damage the equipment and be dangerous for your safety.
- 10) Whenever the machine is to be handled, transported or tilted you must:
 - wear strong working gloves;
 - grasp the machine at the points that offer a safe grip, taking account of the weight and its distribution.

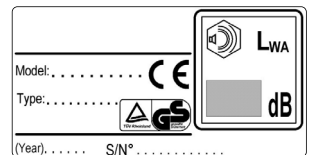
- Do not dispose of used lead-acid batteries in a rubbish bin. Take them to a battery collection point for recycling (applies to battery-powered machines and machines with battery start).
- Replace the silencer if faulty. When carrying out repairs, always use original spare parts.
- If the machines were originally equipped with a catalyser which is now faulty, a new one must be fitted when the silencer is replaced.
- Always seek professional help when the carburettor requires adjustment.
- Clean the air filter according to the directions.
- When, after many years of service, your machine needs to be replaced or is no longer required, we recommended that the machine is returned to your distributor for recycling.

PRODUCT IDENTITY

The identity of the product is determined by the article and serial numbers of the machine.

These can be found on the label fixed to the chassis of the machine:

ART. NR →
SERIE NR.



Use this identification whenever you contact a service workshop or buy replacement parts.

As soon as possible after buying the machine, write the above numbers on the back page of this booklet.

The manufacturer reserves the right to make changes to the product without prior notice.

THE ENVIRONMENT

In order to protect the environment, we recommend that the following points should be given special consideration:

- Always use pure unleaded petrol.
- Always use a funnel and/or a petrol can with a level control to avoid spillage when refilling the fuel tank.
- Do not fill the fuel tank completely.
- Do not overfill with engine and/or transmission oil.
- When changing the oil, ensure that all the used oil is collected. Avoid spillage. Take the used oil to a recycling unit.
- Do not dispose of used oil filter in a rubbish bin. Take it to a recycling unit.

IMPORTANT

For the instructions relative to the engine and the battery, please read the relevant instruction handbooks.

Equipment which is marked with an asterisk (*) comes as standard in certain models or countries. Certain models do not have throttle control. The engine's speed is set for optimal function and minimal exhaust emissions.

SYMBOLS

The following symbols can be found on the machine to remind you of the care and attention that are required during use.

The symbols mean:



Important: Read the instruction handbook before using the



Warning! Keep onlookers away. Beware of objects being flung out.



Warning! Keep hands and feet clear of the cutting deck when the machine is running.

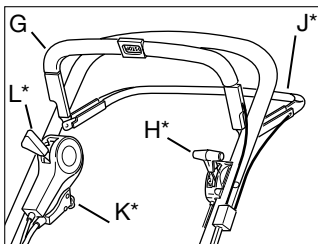


Warning! Before starting any repair work, remove the spark plug cable from the spark plug.



Warning! Always tilt the lawnmower backwards when cleaning the underside. Petrol and oil can run out if the lawnmower is tilted in the other direction.

INTRODUCTION



- G** Start/Stop loop
- H** Throttle control (*)
- J** Clutch loop (*)
- K** Electric start (*)
- L** Variator control (*)

INSTALLATION

LOOSE PARTS IN THE BOX

- 1 ignition key (*)
- 1 battery charger (*)
- 1 socket wrench
- 2 nut caps
- + Instruction books

FLAP

Install the flap according to fig. 1 - 2.

1. Insert the shaft into the hole on the right-hand side.
2. Fold down the flap so that the left-hand end of the shaft is directly opposite the hole.
3. Insert the left-hand end of the shaft into the hole by pressing shaft's the right-hand end. Make sure that the shaft is centred.

HANDLE

1. Remove rear screw, nut and washer and fold up the lower part of the handle (fig. 3).
2. Screw the lower part of the handle without tightening (both sides). Ensure that the lug for the starter cord is correctly positioned (fig. 4).
3. Install the upper part of the handle using screws, washers and locking wheels (fig. 5).
4. Adjust the handle so that the handlebar is horizontal.
5. Set the required height for the handle and tighten the screws **A** and **B** properly (fig. 4).
6. Thread the nut caps onto the front screw heads **B** (fig. 6).
7. Fold down the spring struts so that the flap is secured (fig. 7).
8. Carefully pull the starter handle and thread the starter cord through the lower and upper lugs. Tighten the upper lug (fig. 8).

CABLE HOLDER

Secure the cables in the cable holders (fig. 9).

GRASS COLLECTOR

Fit the fabric bag over the steel frame and then snap the bag onto the plastic lid (fig. 10).

Open the flap on the machine and attach the grass collector to the brackets (fig. 11).

NOTE! The lawnmower can be operated without the grass collector. The grass is then left in a line behind the machine.

BATTERY (*)



The electrolyte in the battery is toxic and corrosive. It can cause serious corrosion damage etc. Avoid all contact with skin, eyes and clothing.

Before starting for the first time the battery should be charged for 24 hours, see further information under the heading MAINTENANCE, BATTERY. Insert ignition key (*) into the ignition lock.

USING THE MOWER

STARTING THE ENGINE

1. Place the lawnmower on flat, firm ground. Do not start in long grass.
2. Make sure the spark plug cable is connected to the spark plug.
3. Press in the Start/Stop loop **G** towards the handle. **NOTE!** The Start/Stop loop **G** must be kept pressed in to prevent the engine stopping (fig. 12).
- 4a Manual start: Grasp the starter handle and start the engine by pulling briskly on the starter cord.
- 4b Electric start (**K***): Start the engine by turning the ignition key clockwise. Release the key as soon as the engine starts. Always make short attempts at starting in order to prevent discharging the battery.
5. For the best mowing results, the engine should always be driven at full throttle.

STOPPING THE ENGINE



The engine may be very warm immediately after it is shut off. Do not touch the silencer, cylinder or cooling flanges. This can cause burn injuries.

Release the Start/Stop loop **G** (fig. 12) to stop the engine.



If the start/stop loop ceases to work, stop the engine by removing the spark plug cable from the spark plug. Immediately take the lawn mower to an authorised workshop for repair.

REAR WHEEL DRIVE

Engage the drive by pressing the clutch loop **J** towards the handle. Disengage the drive by releasing the clutch loop **J** (fig. 12).



SPEED



Do not touch the variator control when the engine is not running. This can damage the operation of the variator.

Set to a suitable speed by moving the variator control to one of the 4 positions (fig. 13).

The various positions have the following speeds:

Position 	:	approx. 2.8 km/h
Position 2:		approx. 3.1 km/h
Position 3:		approx. 3.6 km/h
Position 	:	approx. 4.5 km/h

CUTTING HEIGHT



Do not set the cutting height so low that the blade(s) come into contact with uneven ground.

The mower has single-lever control for adjusting the cutting height. Pull the lever out, and set the cutting height to one of the nine positions best suited to your lawn (fig. 14).

MAINTENANCE

IMPORTANT – Regular, careful maintenance is essential for keeping the safety level and original performance of the machine unchanged in time.

Wear strong working gloves during any cleaning, maintenance or adjustment operation on the machine.

Should it be necessary to access the lower part, only tilt the machine from the side shown in the engine handbook; following the relative instructions.

CLEANING

Carefully clean the machines with water after each cut; remove the grass debris and mud accumulated inside the chassis to avoid their drying and thus making the next start-up difficult.

The paintwork on the inside of the chassis may peel off in time due to the abrasive action of the cut grass; in this case, intervene promptly by touching up the paintwork using a rustproof paint to prevent the formation of rust that would lead to corrosion of the metal.

Remove the transmission casing by removing the screws **S** (fig. 15) and clean around the transmission and drive belts with a brush or compressed air once or twice a year.

The drive chain should be lubricated once per season. Remove the right-hand cover from the roller and apply a little chain spray onto the chain.

BATTERY (*)

In normal use during the season, the battery is charged by the engine. If the engine cannot be started with the ignition key, it may be because the battery is 'dead'.

Dismantle the battery by opening the battery cover, disconnecting the terminal on the engine and removing the battery (fig. 16). Connect the battery charger (provided) to the battery, then connect the charger to a wall socket and charge for 24 hours (fig. 17).

After charging, the battery may be reinstalled and the terminal on the battery connected to the terminal on the motor (fig. 18).

The battery charger may not be connected directly to the engine terminal. It is not possible to start the engine with the charger as the power source and the charger could be damaged.

WINTER STORAGE

Remove the battery and store it fully charged (see above) in a dry, cool place (between 0°C and +15°C). At least once during the winter storage period, the battery should be maintenance-charged.

Before the start of the season, the battery should be charged once again for 24 hours.


ADJUSTING CLUTCH CABLE


If the drive does not engage when the clutch loop is pressed against the handle, or if the lawnmower

feels cumbersome or slow, this may be because the clutch in the transmission is slipping. To rectify this situation, adjust the clutch cable as follows (with the engine off):

1. When the clutch loop is released, it should be possible to push the mower backwards without any resistance. If this is not the case, screw in the nipple **T** until the mower can be pushed (fig. 19).
2. When the clutch loop is pressed in approx. 2 cm (position 1), there should be some resistance when pushing the lawnmower. With the clutch loop fully pressed in (position 2) it should not be possible to push the mower. Unscrew the nipple **T** until this position is achieved.

ADJUSTING VARIATOR CABLE (*)

If the speed difference between the settings in the variator control giving the fastest speed (position 3 and ) appears insignificant or nothing at all, the variator cable might need tightening (fig. 13).

1. Run the mower for a few minutes in position .
2. If the variator cable shows some play in nipple **Y** it needs tightening. Undo the locking nut **X** and tighten the cable by unscrewing the nipple **Y** until the cable ceases to show any play.
3. Tighten the locking nut **X**.

NOTE! Do not stretch the cable beyond the point where there is no play in the nipple **Y**. If the cable is over-tightened, the drive belt could break and/or other parts of the transmission be damaged. When setting after e.g. belt change, always start with the nipple **Y** completely screwed in.

CHANGING BLADES

To replace the blade, undo the screw (fig. 20). Fit the new blade so that the stamped logo is turned up facing the blade holder (not facing the grass).

Reinstall as illustrated. Tighten the screw properly. Tightening torque 40 Nm.

When replacing the blade, the blade screw should also be replaced.

SHARPENING THE BLADES

Sharpening of the blades must be done by wet method grinding, using a whetstone or a grindstone.

For safety reasons, the blades should not be sharpened on an emery wheel. A very high temperature could cause the blades to become brittle.

STORAGE

The same petrol must not remain in the tank for more than one month.

Thoroughly clean the mower and store it indoors in a dry place.

SERVICING

Genuine spare parts are supplied by service workshops and by many dealers.

We recommend that you take the machine to an authorised service station for annual servicing, maintenance and inspection of safety equipment.

For service and spare parts, please contact the dealer where the machine was purchased.



A series of horizontal dotted lines spanning the width of the page, intended for handwriting practice.



A series of horizontal dotted lines spanning the width of the page, intended for handwriting practice.